

A x1



B x1



C x2



D x1



E x4



F x4



G (M6*35) x8



H (M6) x 8



I x 8



J (M6)x4



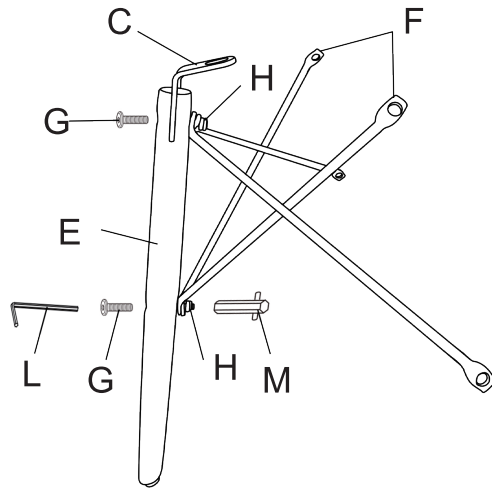
K (M6x16) x 4



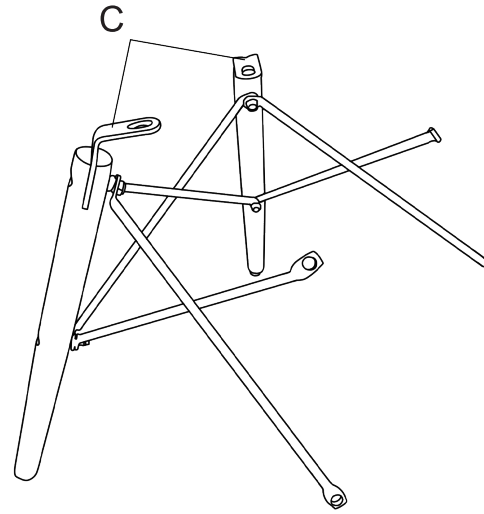
L x1



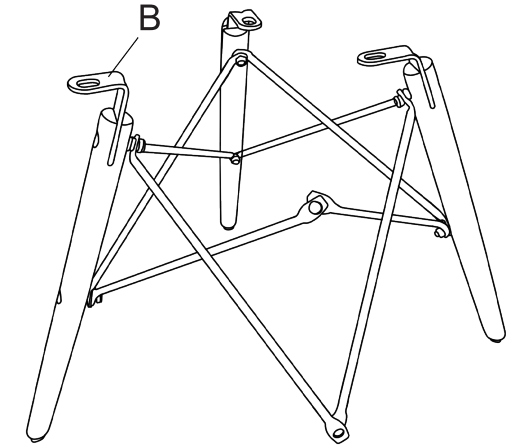
M x1



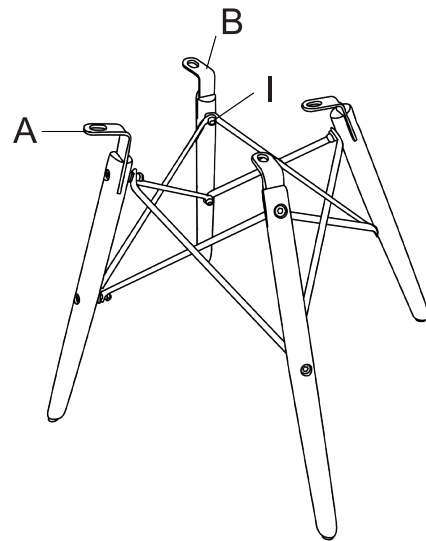
1



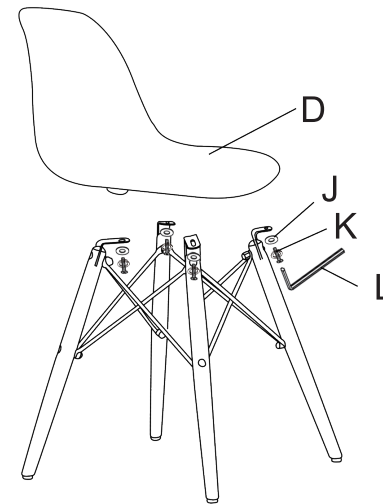
2



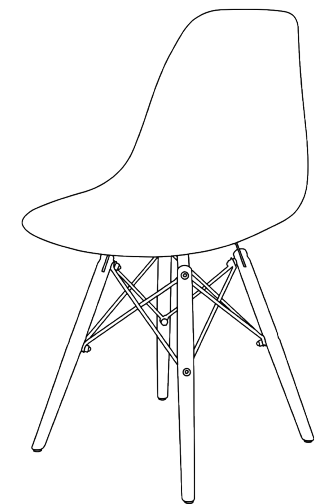
3



4



5



6